

SAFETY INSTRUCTIONS

Before installing the sensor, you must read the installation and safety instructions carefully. For reasons of safety and for optimal operation, we recommend that any maintenance and repair work is carried out by trained experts only and according to the guidelines of the vehicle manufacturer. The valves are safety-relevant parts which are intended for the professional installation only. Failure to do so may result in the failure of the vehicle TPMS sensor to operate properly. AUTEL does not assume any liability in case of faulty or incorrect installation of the product.

CAUTION

- The TPMS sensor assemblies are replacement or maintenance parts for vehicles that have a factory installed TPMS.
- Make sure to program the sensor by AUTEL sensor programming tools for your specific vehicle make, model and year before installation.
- Do not install programmed TPMS sensors in damaged wheels.
- In order to guarantee optimal function, the sensor may only be installed with original valves and accessories provided by AUTEL.
- Upon completion of installation, test the vehicle TPMS system using procedures described in the original manufacturer's user guide to confirm proper installation.

WARRANTY

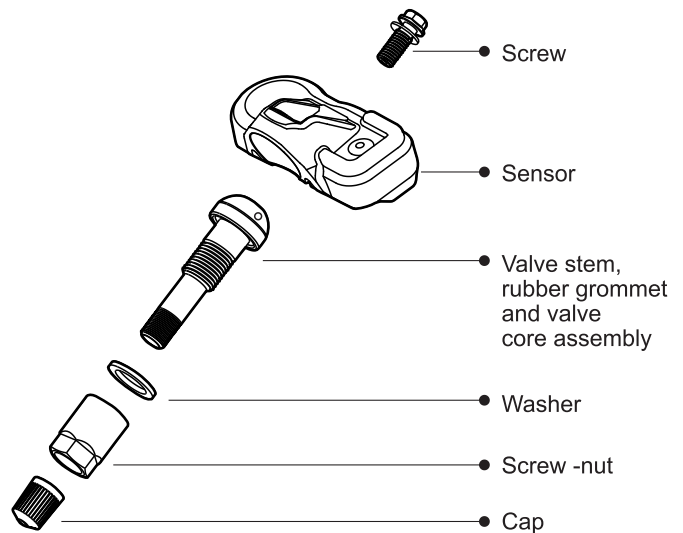
AUTEL guarantees that the sensor is free from material and manufacturing defects for a period of twenty-four (24) months or for 24,000 miles, whichever comes first. AUTEL will at its discretion replace any merchandise during the warranty period. The warranty shall be void if any of the following occur:

1. Improper installation of products
2. Improper usage
3. Induction of defect by other products
4. Mishandling of product
5. Incorrect application
6. Damage due to collision or tire failure
7. Racing or competition
8. Exceeding the specific limits of the product

EXPLORED VIEW OF SENSOR



EXPLORED VIEW OF SENSOR



Technical data of the sensor

Weight of sensor without valve:	17.5 g
Dimensions:	approx. 52*29.1*22.2 mm
Max. pressure range:	800 Kpa



CAUTION: Each time a tire is serviced or dismantled, or if the sensor is removed or replaced, it is mandatory to replace the rubber grommet, washer, nut and valve core with our parts to ensure proper sealing. It is mandatory to replace the sensor if it is externally damaged.
Correct sensor nut torque: 4 Newton-meters.

INSTALLATION GUIDE

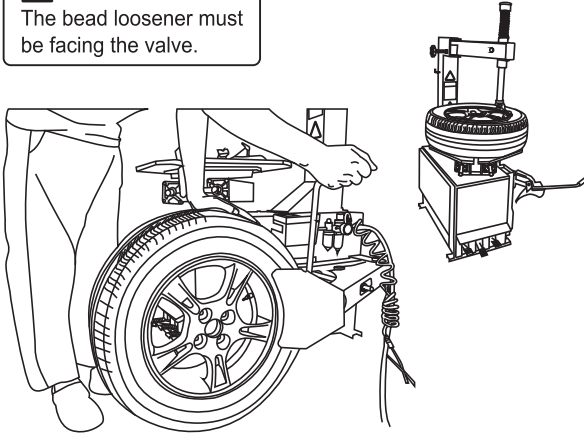


IMPORTANT: Before operating or maintaining this unit, please read these instructions carefully paying extra attention to the safety warnings and precautions. Use this unit correctly and with care. Failure to do so may cause damage and/or personal injury and will invalidate the warranty.

1 Loosening the tire

Remove the valve cap and core and deflate the tire. Use the bead loosener to unseat the tire bead.

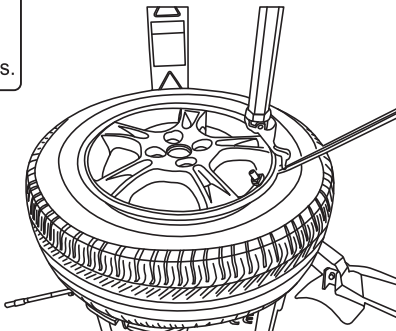
CAUTION:
The bead loosener must be facing the valve.



2 Dismounting the tire

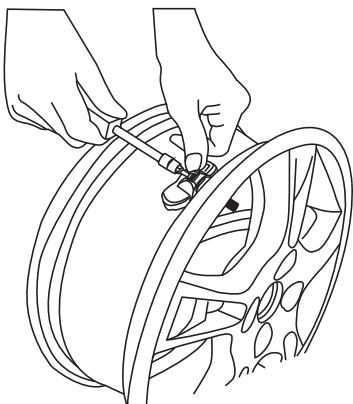
Clamp the tire onto the tire changer, and adjust the valve at 1 o'clock relative to the tire separation head. Insert the tire tool and lift the tire bead onto the mounting head to dismount the bead.

CAUTION:
This starting position must be observed during the whole dismounting process.



3 Dismounting the sensor

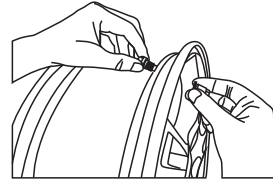
With a screwdriver remove the fastening screw and sensor from the valve stem. Then loosen the nut and remove the valve.



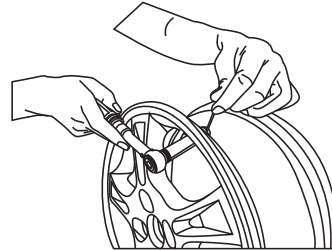
4 Mounting sensor and valve

Slide the valve stem through the valve hole of the rim. Tighten the screw-nut with 4.0 Nm with the help of the positioning pin. Assemble the sensor and valve stem together by screw. Hold the sensor body against the rim and tighten the screw.

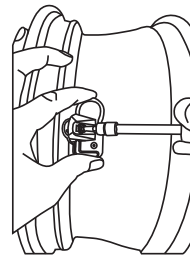
Step.1



Step.2



Step.3



Step.4



5 Mounting the tire

Place the tire on the rim, making sure that the valve faces the separation head at an angle of 180°. Mount the tire over the rim.

